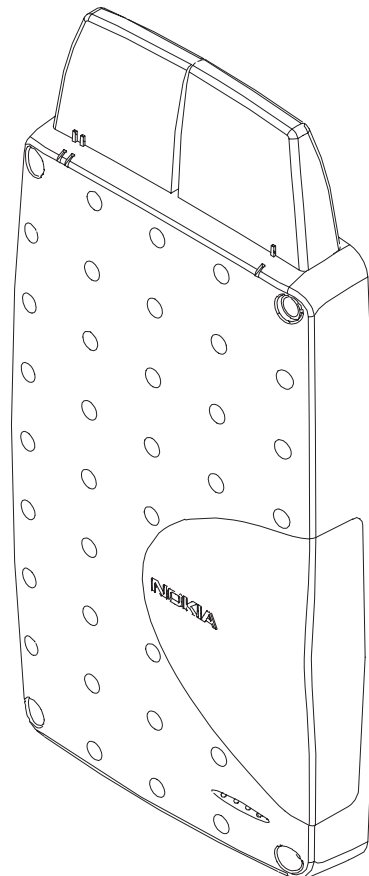


# PAMS Technical Documentation

## Appendix 1 TRANSCEIVER TFE-1 model C



## CONTENTS

|  | <b>Page No</b> |
|--|----------------|
| Foreword .....                                   | 1 – 3          |
| Transceiver TFE-1 model C .....                  | 1 – 3          |
| Modules .....                                    | 1 – 3          |
| Exploded View of Transceiver TFE-1 model C ..... | 1 – 4          |
| Assembly Parts of TFE-1 model C .....            | 1 – 5          |

# Appendix 1

## Foreword

This section of the service manual (Appendix) contains specific details for the TFE-1 MODEL C WLL-transceiver used on the GSM network.

The appendix comprises two chapters as follows: Chapter 1, Foreword (this chapter); Chapter 2, Transceiver TFE-1 MODEL C, containing an exploded view of the TFE-1 MODEL C variant (including a list of assembly parts).

**NOTE:**        **The Service Manual is intended for use by qualified service personnel only.**

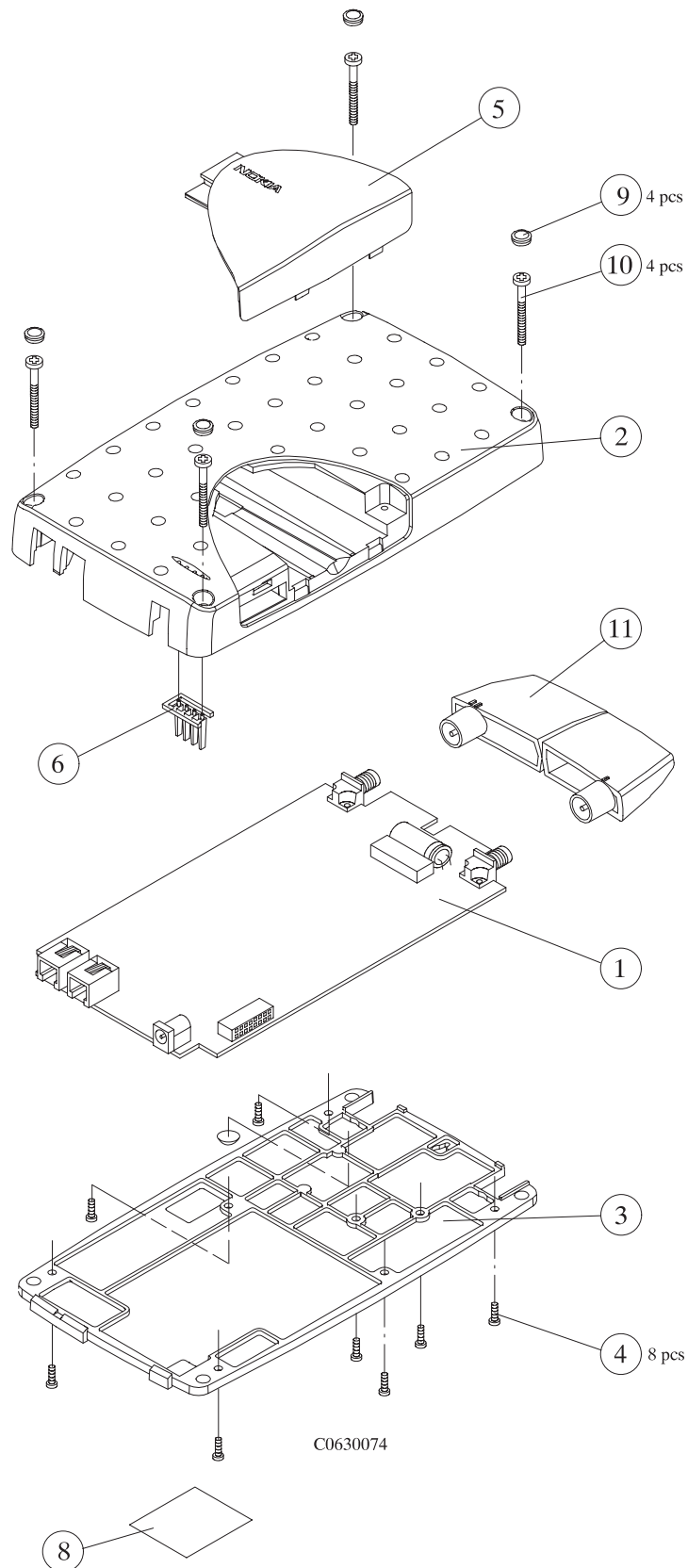
## Transceiver TFE-1 model C

The TFE-1 model C terminal ensures connections for landline telephone and group 3 fax. These services are available in a very small and light WLL terminal.

## Modules

| Unit/type:                       | Product code: | Module code: |
|----------------------------------|---------------|--------------|
| <b>Transceiver TFE-1 model C</b> | 0630129       |              |
| • system module WT4C             |               | 0201087      |
| • mechanics MTFE1C               |               | 0261533      |

### Exploded View of Transceiver TFE-1 model C



**Assembly Parts of TFE-1 model C**

| ITEM | Q'TY  | CODE    | DESCRIPTION        | VALUE, TYPE   |
|------|-------|---------|--------------------|---------------|
| 1    |       | 0201087 | System module WT4C |               |
| 2    |       | 9530009 | A-cover            | DMS00180      |
| 3    | ????? | 9530007 | B-cover            | DMS00181      |
| 4    | ????? | 6290033 | Screw              | M3x8 DIN7500C |
| 5    |       | 9450786 | Card-cover         |               |
| 6    |       | 9450787 | Light guide        |               |
| 8    |       | 9380155 | Type label         | 4D 22453      |
| 9    | 4     | 9450876 | Cover plug         |               |
| 10   | 4     | 6290035 | Screw              |               |
| 11   |       | 0660133 | Antenna            | AHA-1E        |

[This page intentionally left blank]